

8050 Swinging Gate Lock

High-Security Electromechanical Chain Link Fence Gate Lock

Heavy-duty construction for remote and/or manual key operation



The 8050 gate lock is shown above in a closed position. When the gate is closed, the locking bolt is completely concealed and the gate and fence are interlocked.

Since chain link fence construction varies, R.R. Brink Locking Systems, Inc. suggests consulting with the factory for each application. Please verify the diameter of fence and gate posts prior to contacting the factory.

The 8050 gate lock can be modified for surface application — consult factory.



R.R. BRINK LOCKING SYSTEMS, INC.
500 Earl Road • Shorewood, IL 60431
Tel: 815-744-7000 • Fax: 815-744-7020
www.rrbrink.com

Application

The 8050 is a heavy-duty electromechanical lock for a swinging chain link fence gate. Standard electrical operation is by a 120VAC solenoid and manual operation is by a pin-tumbler key cylinder. The 8050 is recommended for high security gate locking at institutional, industrial, commercial and governmental buildings.

The 8050 consists of a lock enclosure designed for fence mounting. A mating gate mounted strike enclosure serves to shield the lock front and bolt when the gate is closed.

As a unique feature when the gate is closed, holes in the strike housing engage with studs in the lock enclosure providing an interlocked connection between the gate and fence to prevent spreading.

All parts are of corrosion-resistant materials (i.e. brass, stainless steel, and galvanized steel). An integral lock status switch provides positive indication of a deadlocked or unlocked bolt via a pilot light and/or alarm circuit.

Key operation is by either a commercial pin-tumbler or prison "Mogul" cylinder. This feature facilitates the use of owner-supplied cylinders keyed to an existing system. Specify one or two side (with key cylinder extension) keying.

After initial installation, caulking of the lock enclosure is recommended for weather proofing. Also, at installations subject to freezing conditions, a resistance-heating strip mounted to the internal lock case is recommended to prevent icing of the lock mechanism. (Not Provided By R. R. Brink)

Standard Features

- Electric unlocking actuated by a 120VAC solenoid (10 amp in-rush, 1.2 amp seated).
- Manual key operation by a standard mortise cylinder (1-1/8" long) with "Yale" cam and furnished by either the factory or end user.
- One or two side keying – see optional factory key cylinder (FKC), and key cylinder extension (KCE).
- Lock status switch provides positive indication of a deadlocked bolt. Steel lock enclosure and mounting components with electroplated finish. Lock working parts are non-ferrous or stainless steel.
- Lock and strike enclosure mounting brackets are adjustable. For a lock keyed two sides, the fence post outer diameter must be 4" to 5". For a lock keyed one side, the fence post outer diameter must be 2.5" to 5". The gate post outer diameter must be 2" to 4".
- Field wiring is to quick-disconnect plug for ease of installation and maintenance.

Standard Operation

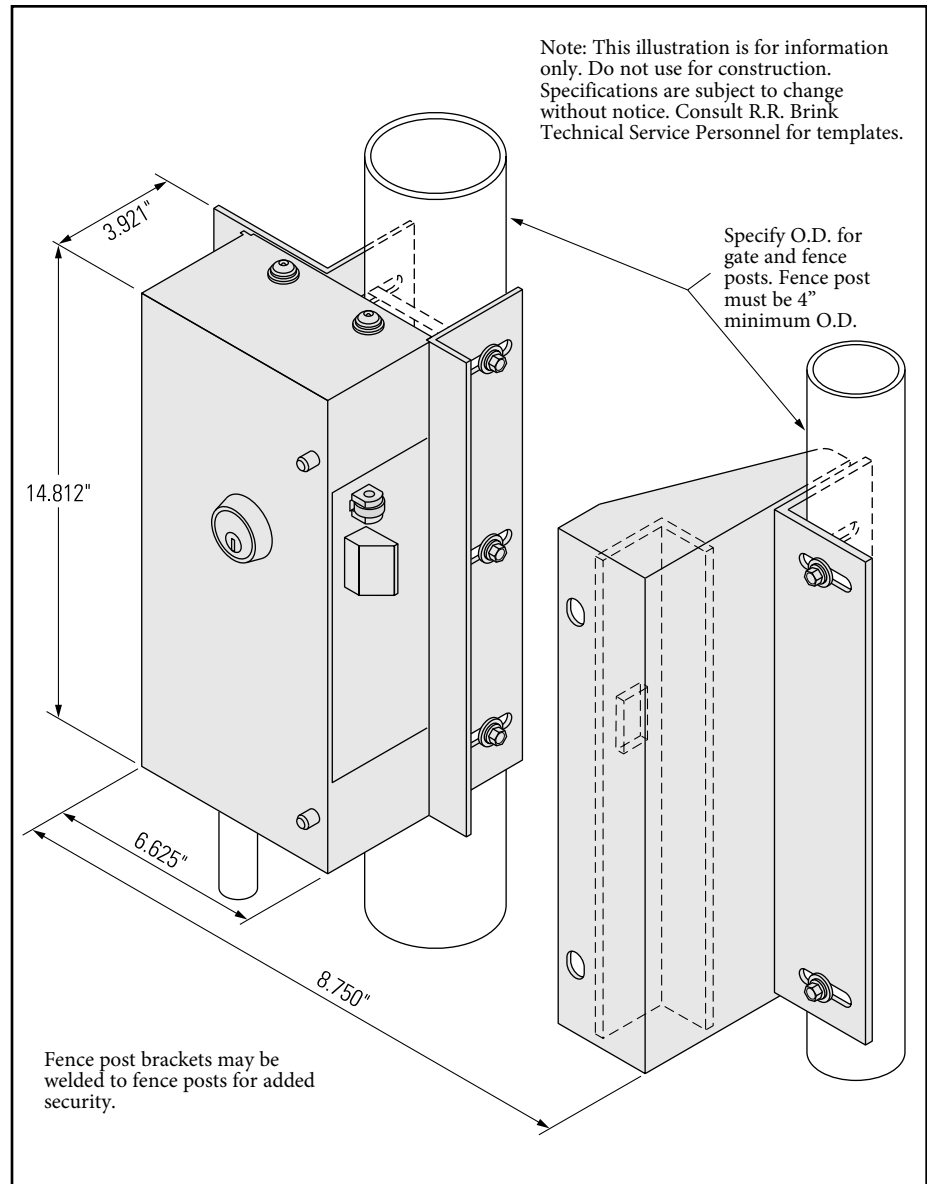
- With electrical control by a momentary switch, the lock bolt will retract (unlock) when power is applied. The latch will stay in the retracted (unlocked) position until the gate is opened when it will project and the gate can be closed and deadlocked automatically. Mechanical unlocking by key at all times.

Optional Features

- Factory supplied key cylinder (FKC) – specify standard mortise or Mogul (see Key Cylinder catalog page).
- Key cylinder extension (KCE) – required for two sided keying or for key operation on fence post side opposite the lock mounting. Specify outside diameter of fence post (4" O.D. minimum required). Consult factory if fence post outside diameter is not 4".
- Motor operation (M) – specify for maintained switch control when a gate is to be unlocked (i.e. latch bolt held retracted) for extended periods (see MSLH on "Motor Lock Function" catalog page). Available voltages – 24VDC and 120VAC.

8050 Swinging Gate Lock

High-Security Electromechanical Chain Link Fence Gate Lock



Ordering Information (required)

When ordering the 8050 Gate Lock please specify the following:

- Lock Hand (see "Hand of Locks" catalog page)
- One or two side keying – K1S or K2S
- Outside diameter of gate (GOD) and fence (FOD) posts
- Optional features

Example: 8050 x LHR x FKC-standard x 3.0" GOD x 4.0" FOD x KCE



R.R. BRINK LOCKING SYSTEMS, INC.

500 Earl Road • Shorewood, IL 60431
Tel: 815-744-7000 • Fax: 815-744-7020
www.rrbrink.com