

7080 & 7080M

All purpose heavy duty, high security mechanical deadlocks for swinging doors

7080 is operated by a paracentric key. 7080M is operated by a mogul key.



Investment cast keys (must be ordered separately)



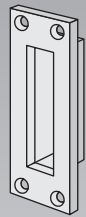
**RRBLS prison
paracentric**

**RRBLS detention
mogul**

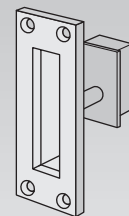
Bolt Keepers (must be ordered separately)



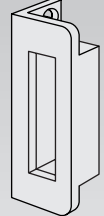
**Mortise Bolt Keeper
7080K**



**Mortise Bolt Keeper
With Dust Box 7080KD**



**Mortise Bolt Keeper
With Indication
Switch 7080KS**



**Surface Applied
Bolt Keeper 7080SA**



R.R. BRINK LOCKING SYSTEMS, INC.
500 Earl Road • Shorewood, IL 60404
Tel: 815-744-7000 • Fax: 815-744-7020
www.rrbrink.com

Application

The 7080 and the 7080M are the industry standard deadbolts widely used in correctional facilities for maximum security key-controlled locking. The 7080 and the 7080M are recommended for openings within the secure perimeter of a jail or prison such as cells, armories, pharmacies, entry and passage doors.

Both locking and unlocking are accomplished with a proprietary RRBLS key – mogul or paracentric.

The key cannot be removed from the lock unless the bolt is fully extended (i.e. deadlocked) or fully retracted. This safety feature alerts the user to an obstruction in the bolt keeper or receiver which might jeopardize security.

The 7080 is independent testing laboratory certified to satisfy the impact test criteria for Security Grade 1 as set forth in ASTM Standards F1450 and F1577.

7080 & 7080M

Standard Features

- Industry standard template
- Investment cast steel lock case, zinc plated
- 7080 key cylinder - investment cast of silicon bronze
7080M – RRBL5 6-pin Mogul cylinder (see separate catalog page)
- Zinc-plated deadbolt with three hardened steel inserts
- 7080 – six brass lever tumblers with "anti-pick" notches and bronze springs
- Bolt retracted projection: 1/2" (for hinge-side mounting), 1-1/4" (for stop-side mounting)
- Bolt size:
7080 – 3/4" x 2" w/ 3/4" bolt throw
7080M – 3/4" x 1.75" w/ 1" bolt throw
- Four mounting screws included

Accessories (must be ordered separately)

- **Mogul and paracentric keys** – specify number of keys required
- **Bolt keepers 7080 or 7080M**
7080K standard mortise
7080KD mortise with dust box
7080KS mortise with indication switch
7080SA surface applied
- **Escutcheon (7080 only)** – specify one-way or two-way:
A one-way escutcheon permits key removal only when the bolt is in the extended (i.e. dead-locked) position; a two-way escutcheon permits key removal in both the locked and unlocked position. Escutcheon finishes: Satin Stainless Steel (ANSI 630, US32D); or Satin Brass (ANSI 606, US4) finish.
- **Cylinder shield (7080 only)** – A surface-applied flap which closes off the keyway to outside debris at exterior locations – ANSI 630, US 32D finish only.

Lock Mountings (must be ordered separately)

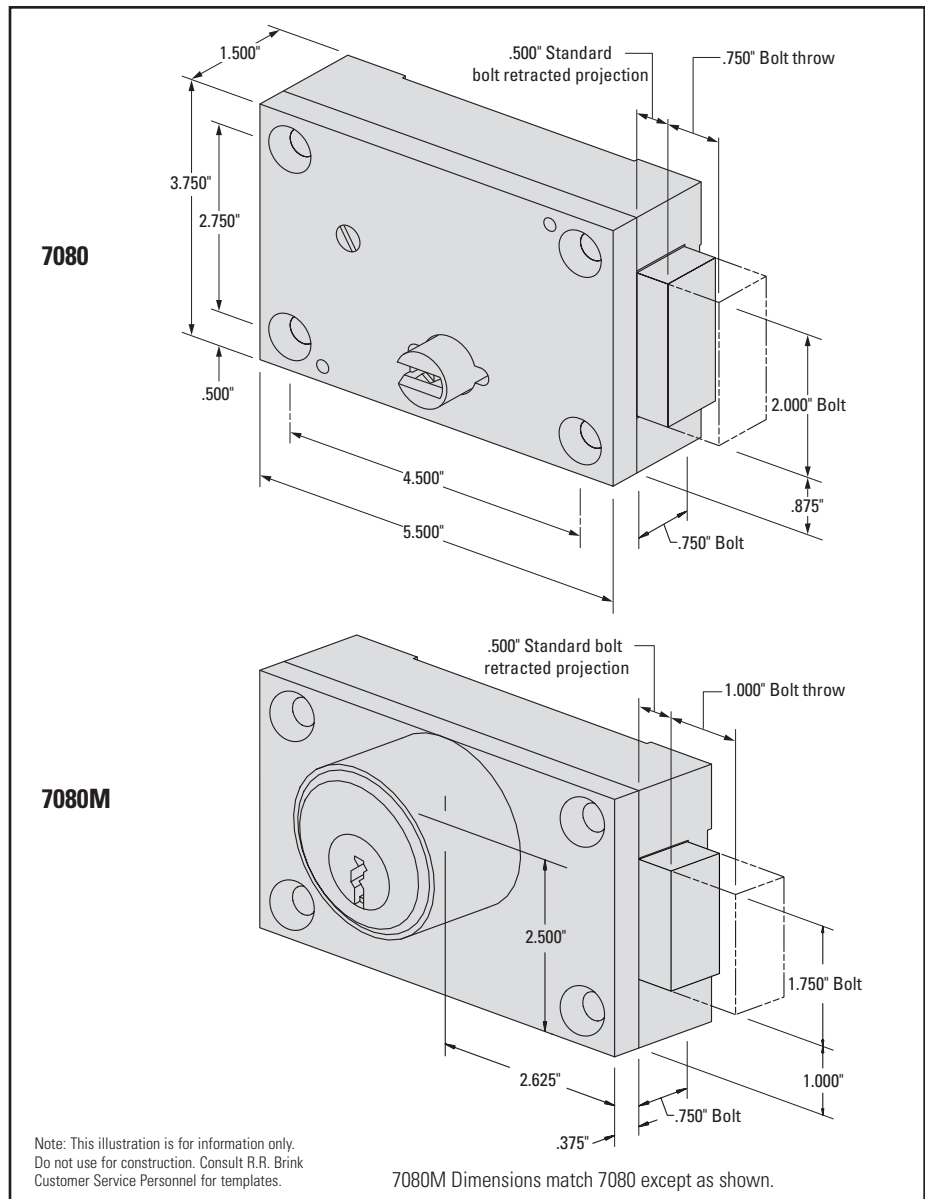
The 7080 and 7080M locks should be mounted, enclosed, and protected with an appropriate steel mounting. Mountings are constructed of 7-gauge steel with an electroplated finish for corrosion resistance. Mountings are removable for lock cleaning and repair. Escutcheons must be purchased separately. All mounting screws are included. Consult factory for template of lock mountings.

- **Hollow Metal Door Mounting** – specify 7080HM or 7080MHM Mounting.
- **Plate Door Mounting** – specify 7080P or 7080MP Mounting.
- **Grille Door Mounting** – specify 7080G or 7080MG Mounting. Designed for welding to grille.



R.R. BRINK LOCKING SYSTEMS, INC.

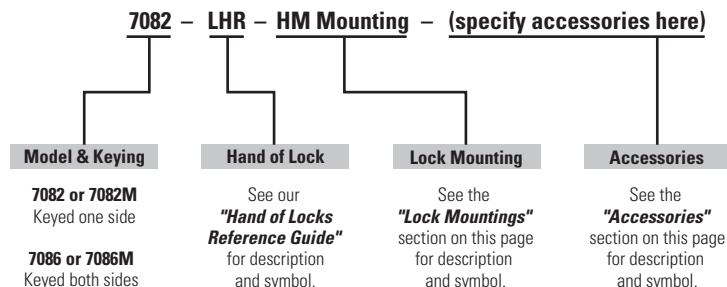
500 Earl Road • Shorewood, IL 60404
Tel: 815-744-7000 • Fax: 815-744-7020
www.rrbrink.com



Ordering Information

Model	Description
7082 or 7082M	Keyed one side
7086 or 7086M	Keyed two sides

Ordering Example



7080 Security Warning

With lever-tumbler locks keyed on two sides, it is important that the end user always remove the key from a locked door. If the key is left in the lock, for instance on the non-secure side to facilitate frequent unlocking, the bolt can be retracted on the opposite side by turning the cylinder with a common tool. (e.g. screwdriver). This poses an unacceptable and potentially dangerous security risk!