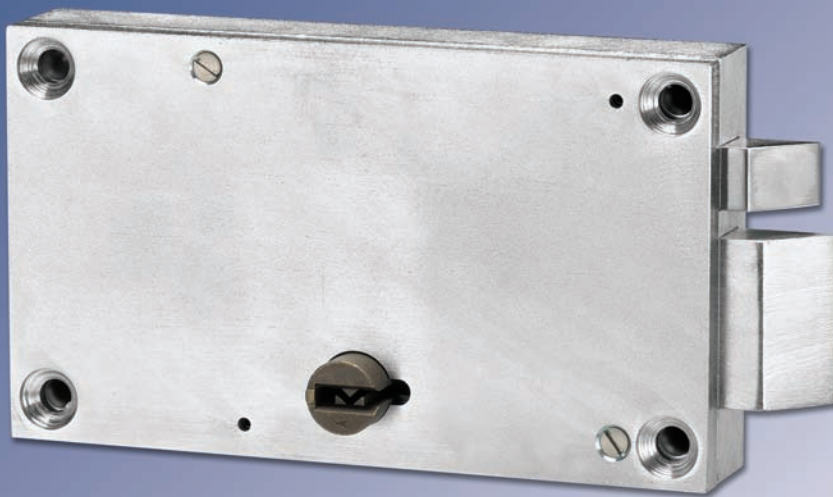
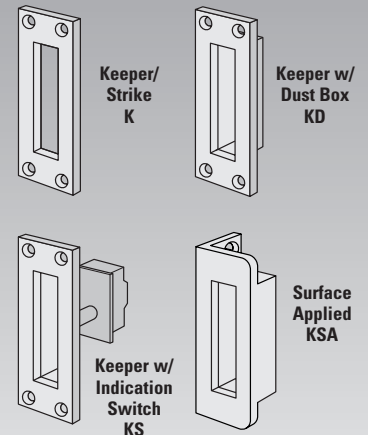


# 7070

## Lever-Tumbler Mechanical Automatic Deadlatch for Swinging Doors



**Investment cast prison paracentric key**  
(must be ordered separately)



**Bolt Keepers** (must be ordered separately)



**R.R. BRINK LOCKING SYSTEMS, INC.**  
500 Earl Road • Shorewood, IL 60404  
Tel: 815-744-7000 • Fax: 815-744-7020  
www.rrbrink.com

### Application

The 7070 is a lever-tumbler latch with automatic deadlocking via an auxiliary latch. It is used when the convenience of slam closing and automatic (i.e. keyless) deadlocking is of high priority. However, application of the 7070 should be limited to correctional facility locations where inmates should not have unaccompanied access such as high-usage corridor and support room doors (e.g. control, kitchen, laundry, visitation areas).

The 7070 should not be used to secure doors in inmate living areas, especially cells. This is because the 7070 does not

require manual deadlocking by key as do the RRBL Models 7060 latch and the 7080 deadbolt. The automatic deadlocking feature can engender a false sense of security among correctional officers that can be taken advantage of by an inmate surreptitiously obstructing the lock bolt keeper to block full extension of the latch. When this occurs, the automatic deadlocking function is foiled and the latch can be retracted with end force (e.g. carding) to effect a breach of security.

# 7070

## Lever-Tumbler Mechanical Automatic Deadlatch for Swinging Doors

### Standard Features

- Industry standard template.
- Investment cast iron lock case, zinc plated.
- Investment cast, bronze alloy, one-piece key cylinder.
- Zinc plated steel deadlatch with two hardened steel inserts.
- Six hard brass lever tumblers
- Heavy bronze tumbler springs.
- Random-depth key cuts impede "picking".
- Lever tumblers are provided with "anti-pick" notches for both locked and unlocked condition.
- Latch throw: 3/4"
- Latch retracted projections: 1/2" (with hinge side mounting); 1-1/4" (with stop side mounting).
- Latch size: 2" x 3/4".
- Four mounting screws included.

### Accessories (must be ordered separately)

- **Prison paracentric key** – Investment cast bronze alloy – specify number of keys required
- **Bolt keepers**
  - K** standard mortise
  - KD** mortise with dust box
  - KS** mortise with indication switch
  - KSA** surface applied
- **Escutcheon**
  - Satin Stainless Steel – (ANSI 630, US32D)
  - Satin Brass – (ANSI 606, US4)
- **Cylinder shield** – A surface applied flap which closes off the keyway to outside debris at exterior locations – ANSI 630, US32D finish only.

### Lock Mountings (must be ordered separately)

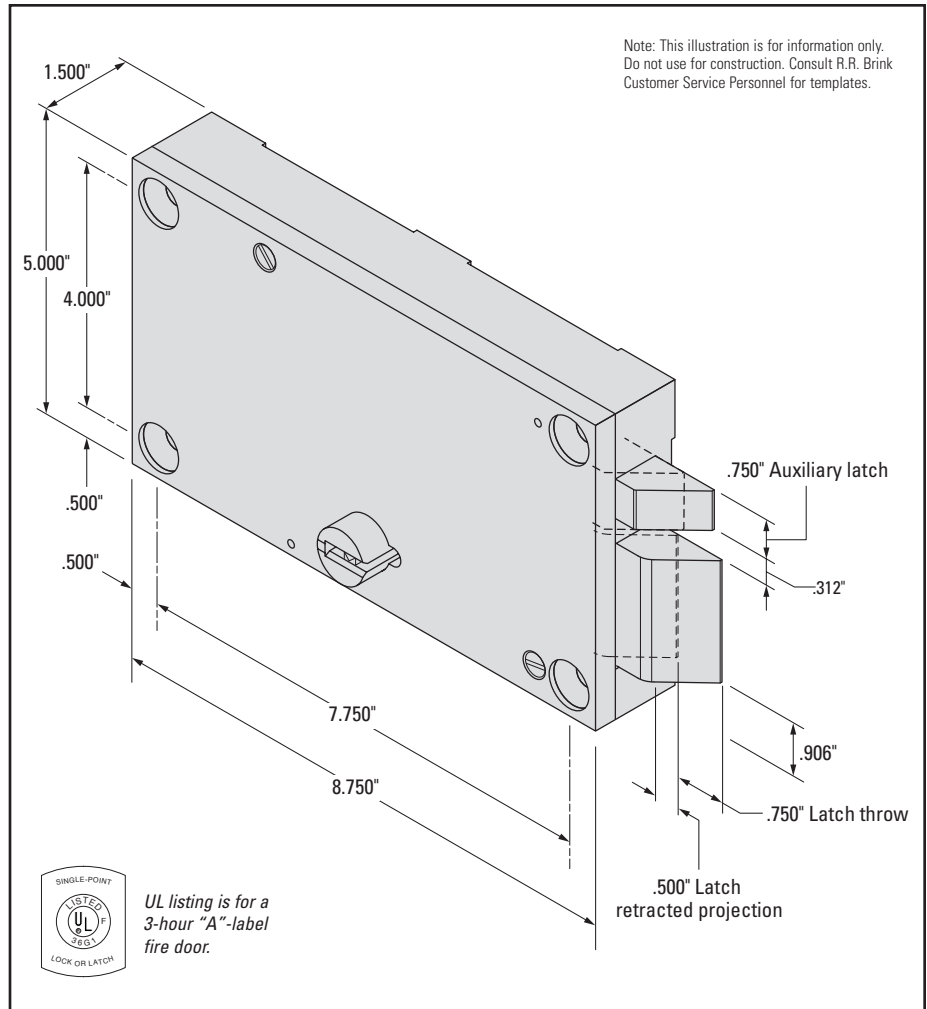
The 7070 lock should be encased and protected on the door with an appropriate steel mounting. Mountings are constructed of 7-gauge steel with an electroplated finish for corrosion resistance. Mountings are removable for cleaning and repair of lock. Escutcheons must be purchased separately. All mounting screws are included. Consult factory directly for template of lock mountings.

- **Hollow Metal Mounting** (specify HM Mounting) – for use on hollow metal doors.
- **Plate Mounting** (specify P Mounting) – for use on steel plate doors. Allows lock to be rim-mounted.
- **Grille Mounting** (specify G Mounting) – for use on grille (steel bar) type doors. Designed for welding to grille.



### R.R. BRINK LOCKING SYSTEMS, INC.

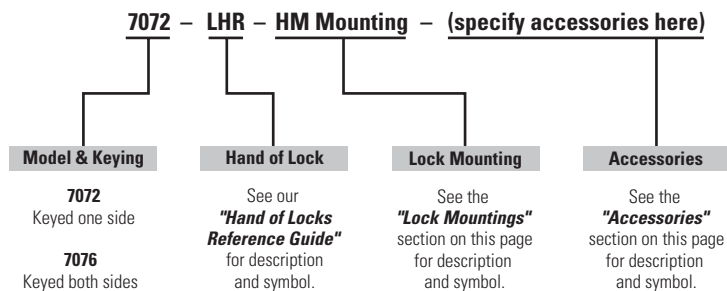
500 Earl Road • Shorewood, IL 60404  
Tel: 815-744-7000 • Fax: 815-744-7020  
www.rrbrink.com



### Ordering Information

Model	Description
7072	Keyed one side
7076	Keyed two sides

### Ordering Example



### Security Warning

With lever-tumbler locks keyed on two sides, it is important that the end user always remove the key from a locked door. If the key is left in the lock, for instance on the non-secure side to facilitate frequent unlocking, the bolt can be retracted from the opposite by turning the cylinder with a common tool. (e.g, screwdriver). This poses an unacceptable and potentially dangerous security risk!