

7060

Lever-Tumbler Mechanical Deadlatch for Swinging Doors



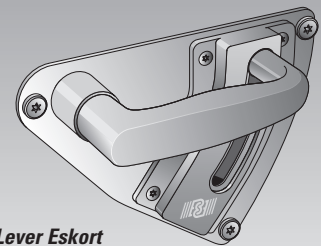
7060



7060K with optional knob



*Investment cast
prison paracentric
key (must be ordered
separately)*



*Lever Eskort
Escutcheon and Track
Assembly for 7060L*



**Keeper/
Strike
K**



**Keeper w/
Dust Box
KD**



**Keeper w/
Indication
Switch
KS**



**Surface
Applied
KSA**

Bolt Keepers (must be ordered separately)



R.R. BRINK LOCKING SYSTEMS, INC.
500 Earl Road • Shorewood, IL 60404
Tel: 815-744-7000 • Fax: 815-744-7020
www.rrbrink.com

Application

The 7060 is a lever-tumbler latch appropriate for jail and prison holding cells, storage rooms, and passage doors where the convenience of slam locking makes it preferable to the RRBS 7080 deadbolt. Unlocking and locking of the beveled bolt is by an RRBS paracentric key. When a door is closed, deadlocking of the 7060 requires *two* revolutions of the key. It is important that correctional officers

observe this requirement to avoid a security breach by clandestine latch retraction with end force (e.g. "carding").

As an option, the 7060 is available with latch retraction by knob or "Lever Eskort" (see inset above) sets. These models are designated 7060K and 7060L, respectively. When the latch is deadlocked by two turns of the key, the knobs or levers are rendered inactive, i.e. rigid.

7060

Lever-Tumbler Mechanical Deadlatch for Swinging Doors

Standard Features

- Industry standard template
- Cast ductile iron lock case, zinc plated
- Investment cast, bronze alloy, one-piece key cylinder
- Zinc plated steel deadlatch with two hardened steel inserts
- Six hard brass lever tumblers
- Heavy bronze tumbler spring
- Random-depth key cuts impede "picking"
- Lever tumblers are provided with "anti-pick" notches for both locked and unlocked condition
- Latch throw: 3/4"
- Latch retracted projections: 1/2" (with hinge side mounting); 1-1/4" (with stop side mounting).
- Latch size: 2" x 3/4".
- Four mounting screws included

Accessories (must be ordered separately)

- **Prison paracentric key** – Investment cast bronze alloy – specify number of keys required
- **Bolt keepers**
 - K** standard mortise
 - KD** mortise with dust box
 - KS** mortise with indication switch
 - KSA** surface applied
- **Escutcheon**
 - Satin Stainless Steel – (ANSI 630, US32D)
 - Satin Brass – (ANSI 606, US4)
- **Cylinder shield** – A surface applied flap which closes off the keyway to outside debris at exterior locations – ANSI 630, US32D finish only.

Lock Mountings (must be ordered separately)

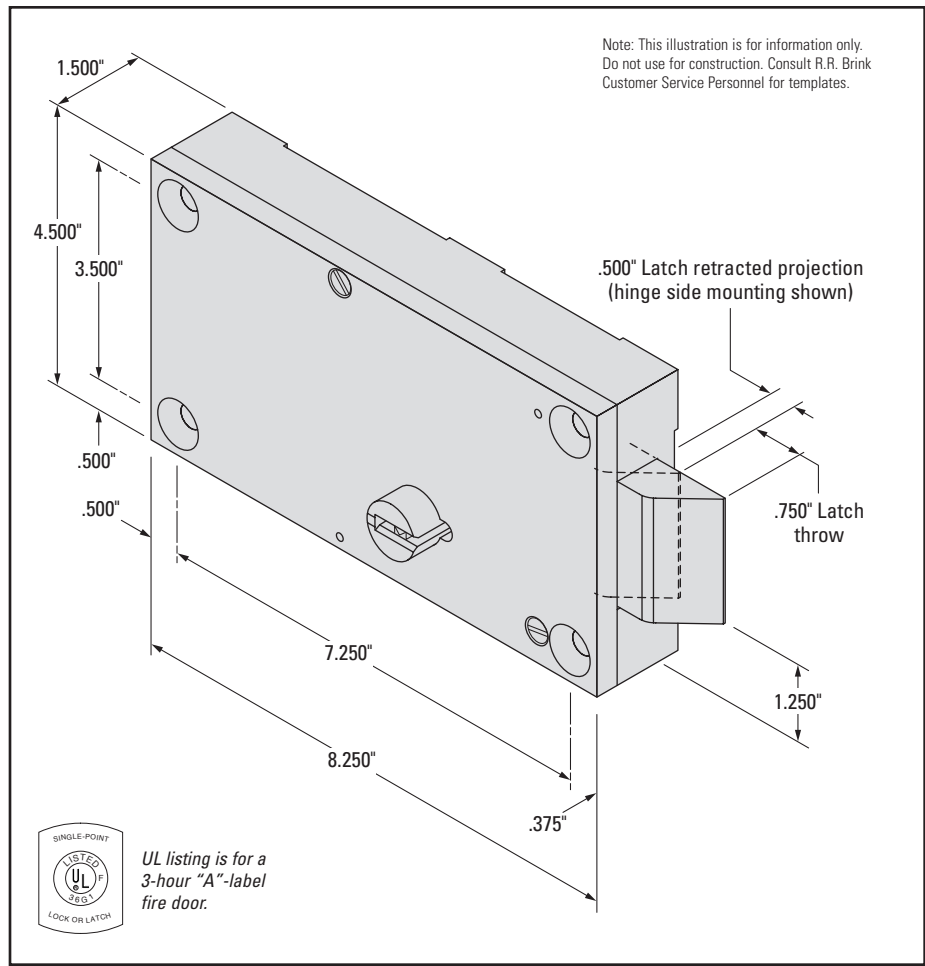
The 7060 lock should be encased and protected on the door with an appropriate steel mounting. Mountings are constructed of 7-gauge steel with an electroplated finish for corrosion resistance. Mountings are removable for cleaning and repair of lock. Escutcheons must be purchased separately. All mounting screws are included. Consult factory directly for template of lock mountings.

- **Hollow Metal Mounting** (specify HM Mounting) – for use on hollow metal doors.
- **Plate Mounting** (specify P Mounting) – for use on steel plate doors. Allows lock to be rim-mounted.
- **Grille Mounting** (specify G Mounting) – for use on grille (steel bar) type doors. Designed for welding to grille.



R.R. BRINK LOCKING SYSTEMS, INC.

500 Earl Road • Shorewood, IL 60404
Tel: 815-744-7000 • Fax: 815-744-7020
www.rrbrink.com



Note: This illustration is for information only. Do not use for construction. Consult R.R. Brink Customer Service Personnel for templates.



UL listing is for a 3-hour "A"-label fire door.

Ordering Information

Model	Description	Latch Retraction
7062	Keyed one side	Paracentric key
7066	Keyed two sides	Paracentric key
7062K	Keyed one side	Knob
7066K	Keyed two sides	Knob
7062L	Keyed one side	Lever Eskort
7066L	Keyed two sides	Lever Eskort

Security Warning

With lever-tumbler locks keyed on two sides, it is important that the end user always remove the key from a locked door. If the key is left in the lock, for instance on the non-secure side to facilitate frequent unlocking, the bolt can be retracted from the opposite by turning the cylinder with a common tool. (e.g. screwdriver). This poses an unacceptable and potentially dangerous security risk!

Ordering Example

